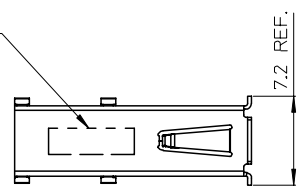


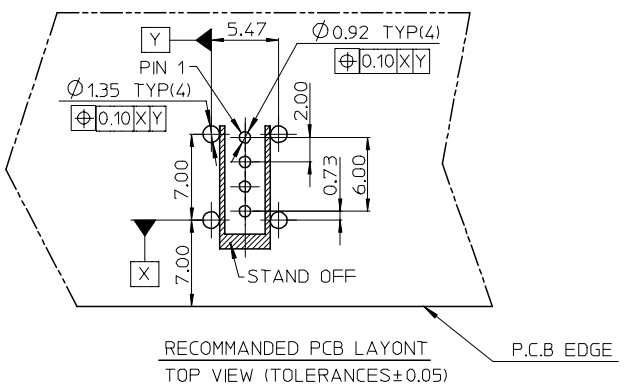
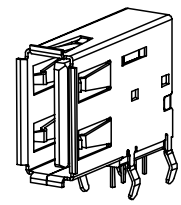
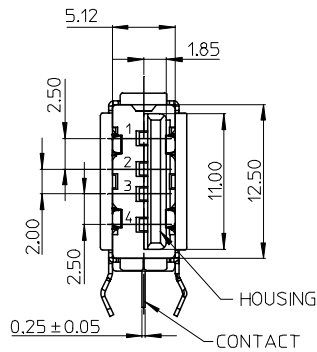
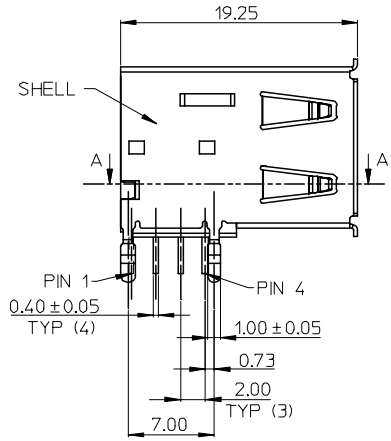
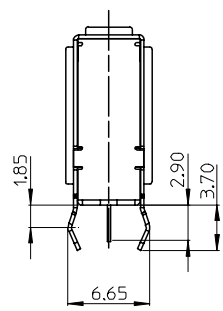
MOLEX LOGO AND DATE CODE



7.2 REF.

NOTES:

- 1.MATERIAL:
SHELL: BRASS
REAR SHIELD: SPCC
HOUSING:THERMOPLASTIC POLYESTER, GLASS FIBER FILLED, UL94V-0, COLOR BLACK.
CONTACT: PHOSPHOR BRONZE
- 2.PLATING:
TERMINAL:
CONTACT AREA:GOLD(Au), THICKNESS=30 MICROINCH MINIMUM.
SOLDER TAIL:TIN (Sn), ALLOY,THICKNESS=120 MICROINCH MINIMUM.
UNDER PLATED:NICKEL(Ni).
- METAL SHELL:
NICKEL(Ni),THICKNESS=120 MICROINCH MINIMUM.
UNDER PLATE: COPPER(Cu).
- 3.RECOMMENDED PCB THICKNESS:1.60mm±0.05mm
- 4.PRODUCT SPECIFICATION: PS-48204-001
- 5.PACKAGE: PK-48204-001
- 6.TEST SUMMARY: TS-48204-001



NEW RELEASE EC NO: SH2005-0330 DRWN:ALLIN 2005/07/21 CHKD: 2005/07/21 APPR:WMSCHANG 2005/07/21	QUALITY SYMBOLS	GENERAL TOLERANCES (UNLESS SPECIFIED)	DIMENSION STYLE MM ONLY	SCALE 1:1	DESIGN UNITS METRIC	THIRD ANGLE PROJECTION	
	▽=0 ∇=0	mm INCH	DRAWN BY DATE COLIN DUAN 2005/01/25	TITLE USB A TYPE UP-RIGHT REVERSE CONNECTOR (LEAD FREE VERSION)			
		4 PLACES ± --- ± --- 3 PLACES ± --- ± --- 2 PLACES ± 0.25 ± --- 1 PLACE ± 0.25 ± ---	APPROVED BY DATE ALLEN LIN 2005/01/25	MOLEX INCORPORATED			
		ANGULAR ± 3 °	WILSON CHANG 2005/01/25	MATERIAL NO. 48204-0001	DOCUMENT NO. SD-48204-001	SHEET NO. 1 OF 1	
A	REV	DESCRIPTION	DRAFT WHERE APPLICABLE MUST REMAIN WITHIN DIMENSIONS				